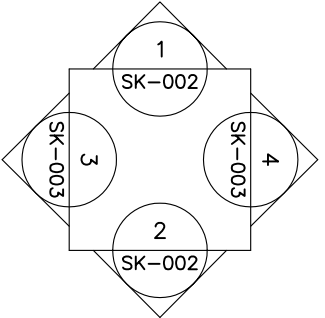
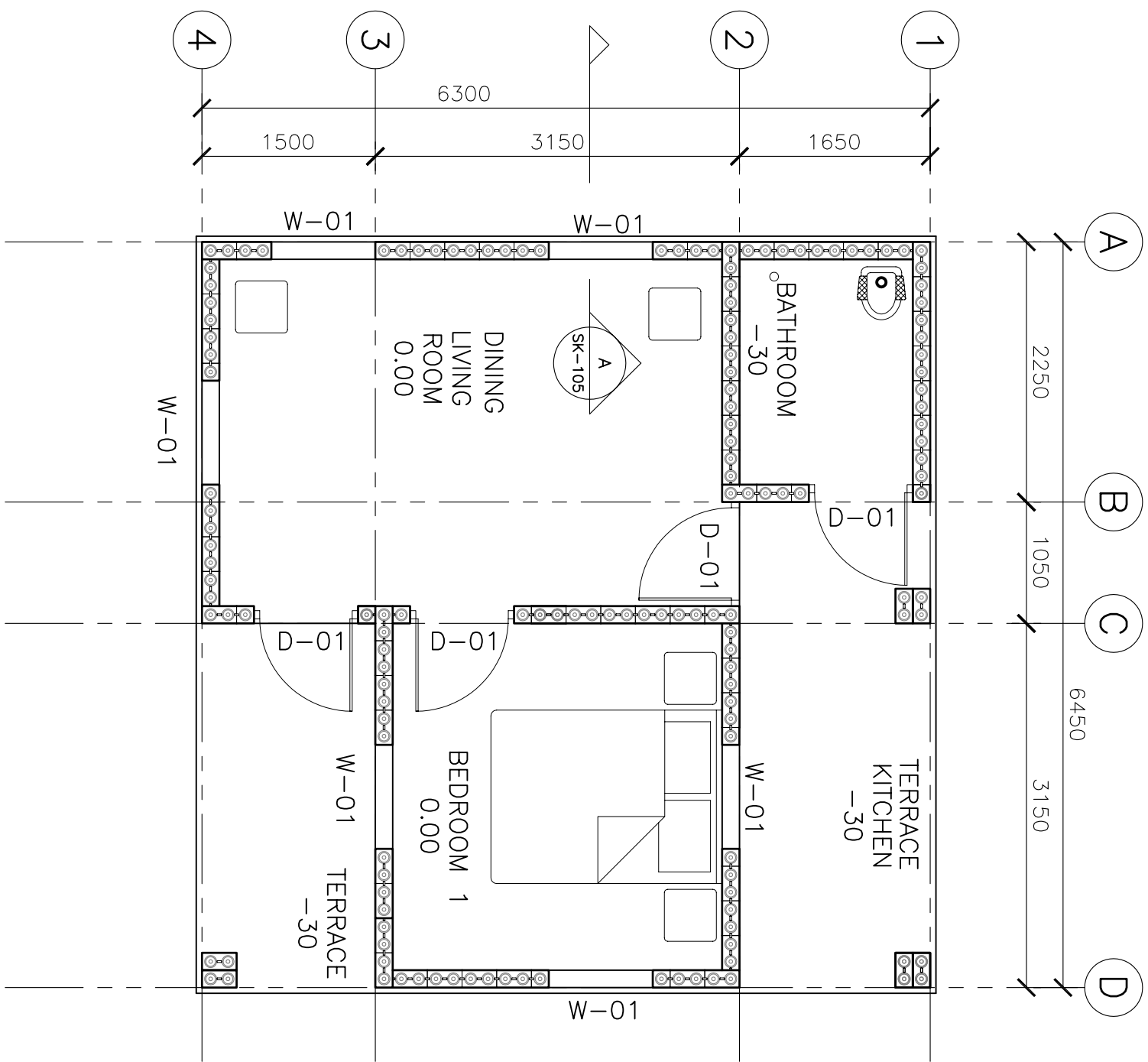
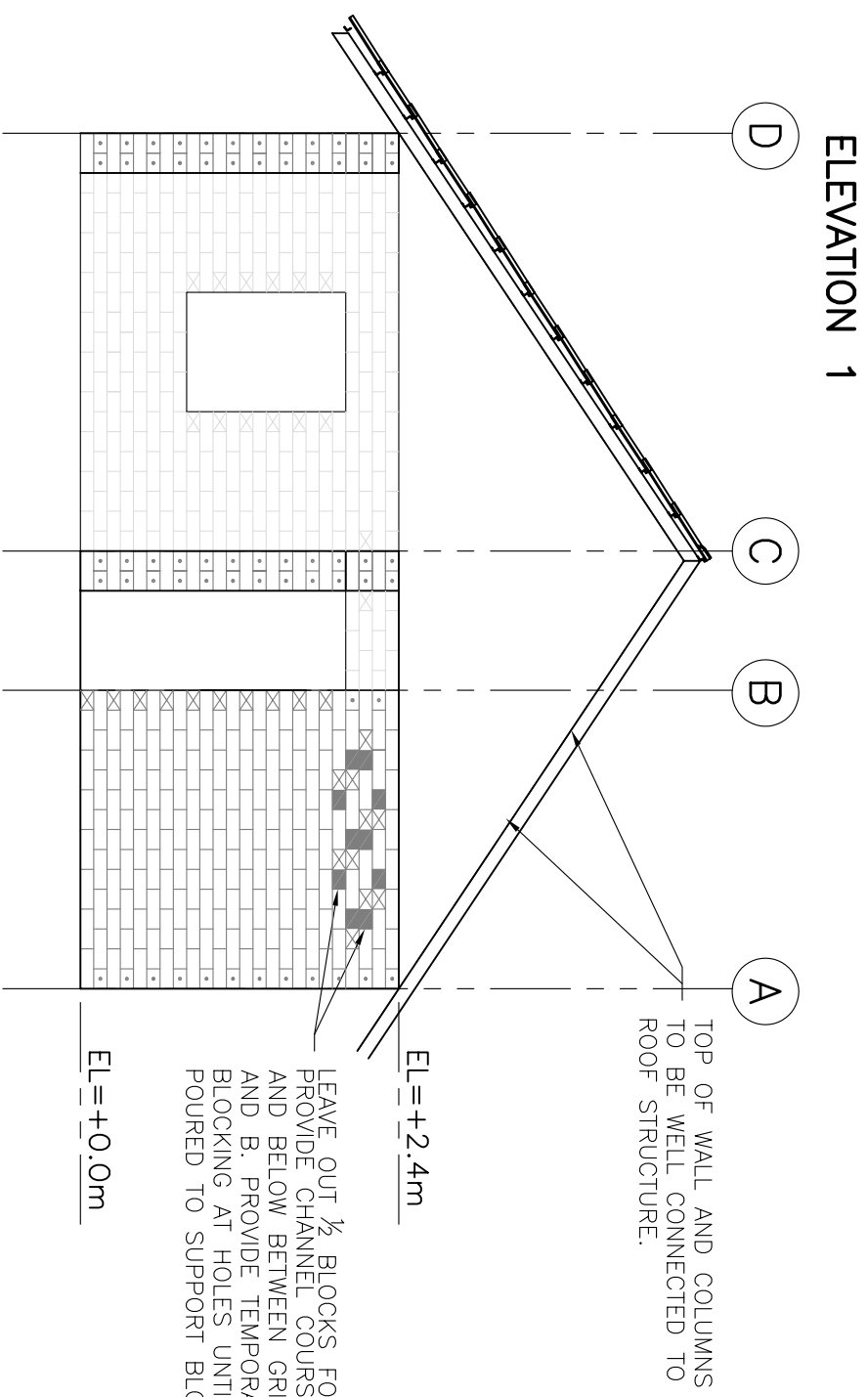
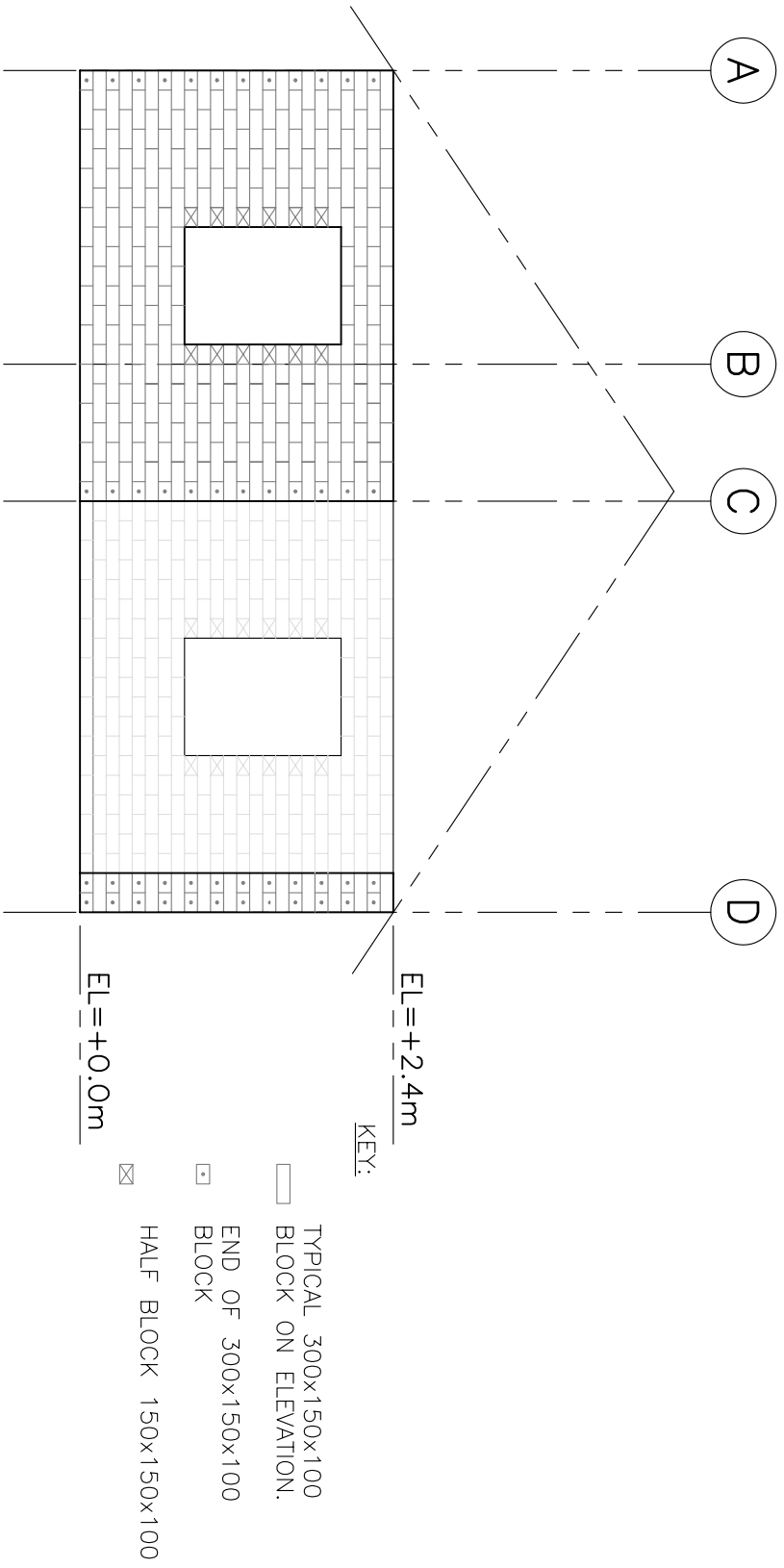


DRAWING LIST

- SK-001 FLOOR PLAN
- SK-002 FRONT & REAR ELEVATIONS
- SK-003 SIDE ELEVATIONS
- SK-004 BLOCK AND WALL REINFORCEMENT LAYOUT
- SK-005 WALL SECTION
- SK-006 BLOCK DETAILS
- SK-007 DOOR & WINDOW DETAILS
- SK-008 SEPTIC
- SK-009 FRONT & REAR ELEVATIONS W/RAFTER BLOCK FILL (ALTERNATE CONSTRUCTION)
- SK-010 ROOF STRUCTURE
- SK-011 ELECTRIC



Rev Description	Date
Issued: NOVEMBER 2007	
Drawn By: GHW	
Checked By:	
Filename	
UDON THANI	
ICEBERG HOUSE	
FLOOR PLAN	
6.3 X 6.45 M 40.635 SQ. M.	
Scales:	1:50 @ A3
Drg. No.	SK-001
Rev. No.	0



LEAVE OUT 1/2 BLOCKS FOR AIR. PROVIDE CHANNEL COURSE ABOVE AND BELOW BETWEEN GRIDS A AND B. PROVIDE TEMPORARY WOOD BLOCKING AT HOLES UNTIL GROUT Poured TO SUPPORT BLOCKS.

Rev	Description	Date

Issued: NOVEMBER 2007

Drawn By: GHW

Checked By: _____

Filename

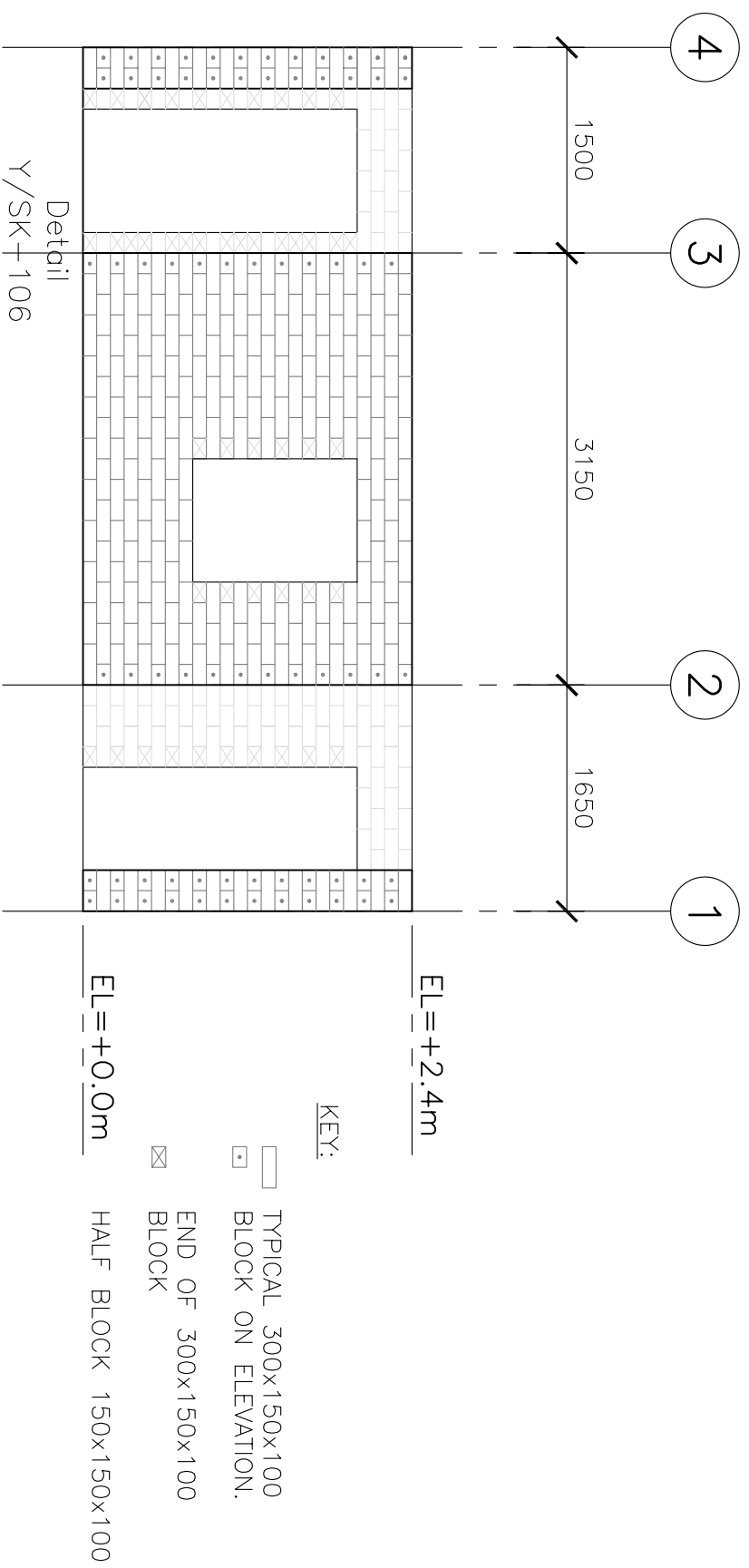
UDON THANI

ICEB HOUSE
ELEVATIONS
SHEET 1

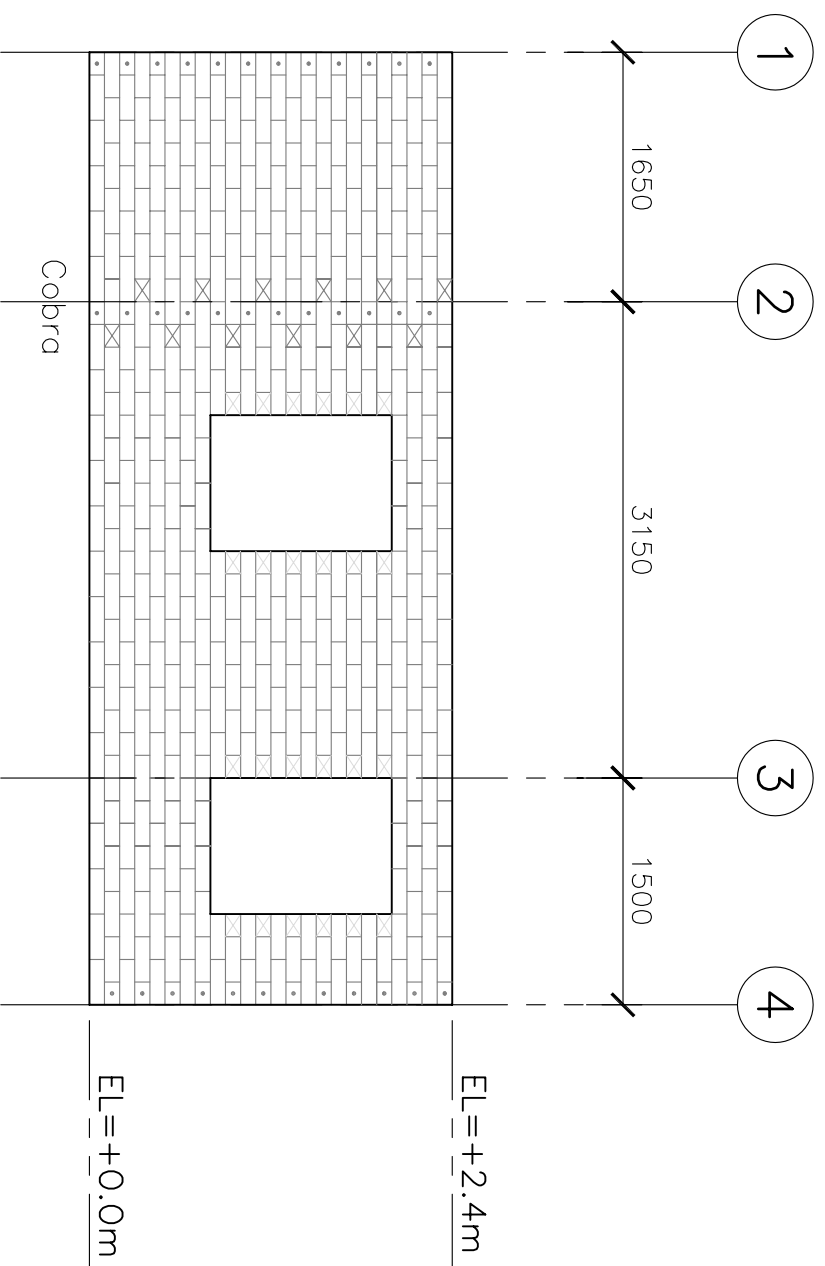
Scales: 1:50 @ A3

Drg. No. SK-002

Rev. No. 0

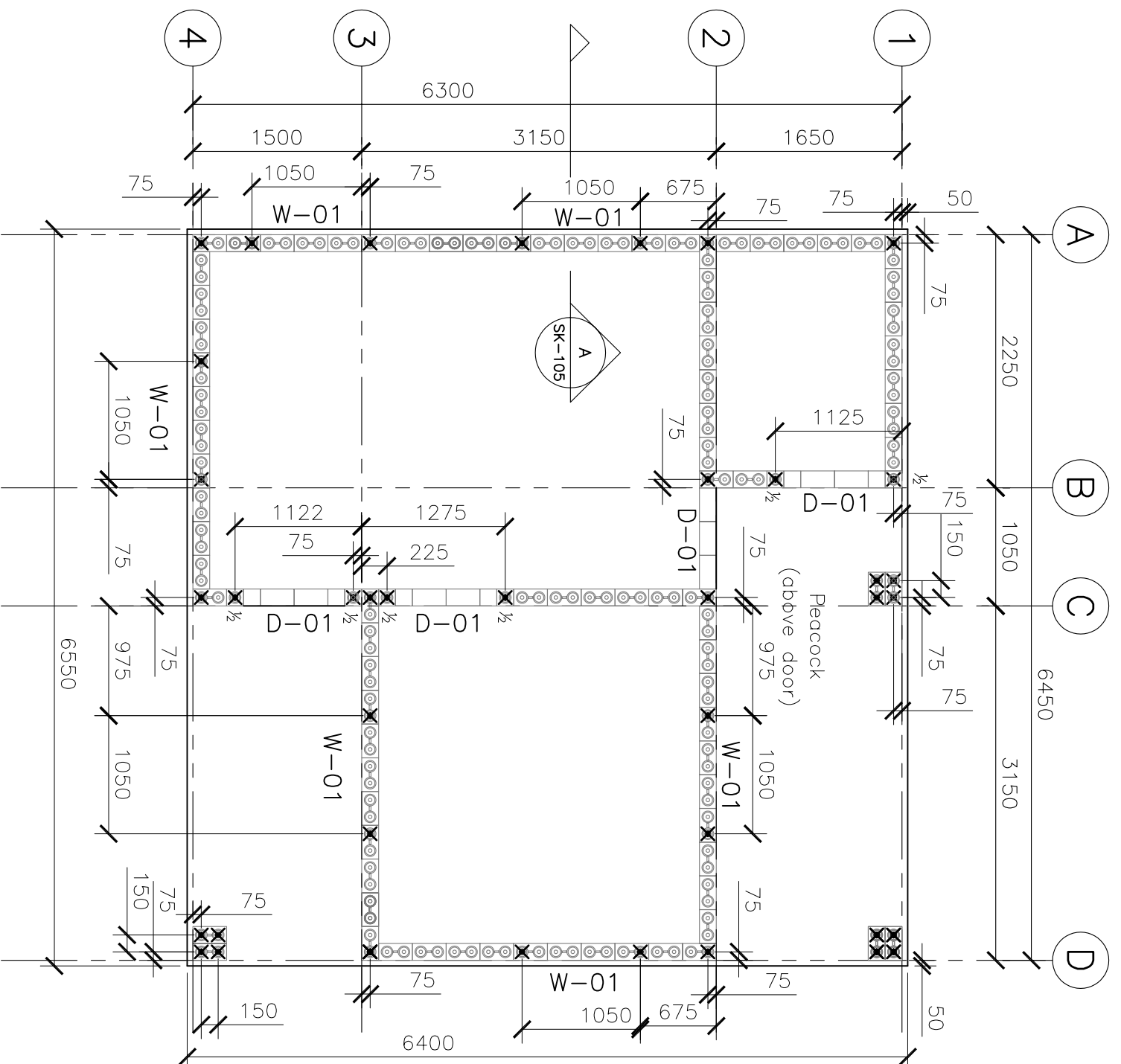


ELEVATION 3



ELEVATION 4

Rev	Description	Date
Issued:	NOVEMBER 2007	
Drawn By:	GHW	
Checked By:		
Filename	UDON THANI	
	ICEB HOUSE	
	ELEVATIONS	
	SHEET 2	
Scales:	1:50 @ A3	
Drg. No.	SK-003	
Rev. No.	0	



LAYOUT OF FIRST BLOCK COURSE

NOTE:
ALL DIMENSIONS ARE TO CENTER OF REBAR, EDGE OF BLOCK OR GRID.

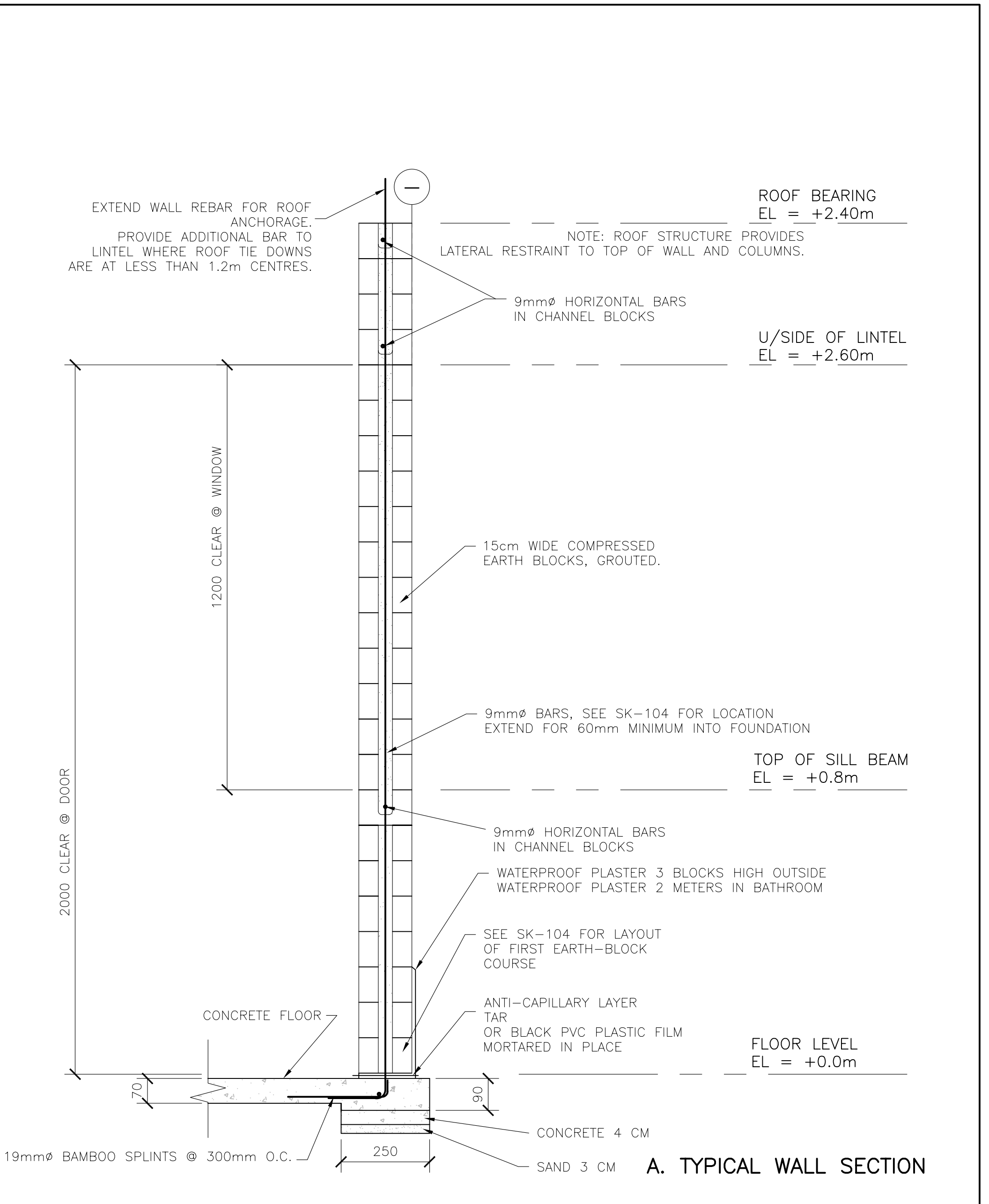
GRIDS ARE TYPICALLY LOCATED ON OUTSIDE FACE OF BLOCK.

REBAR LOCATIONS SHOWN:

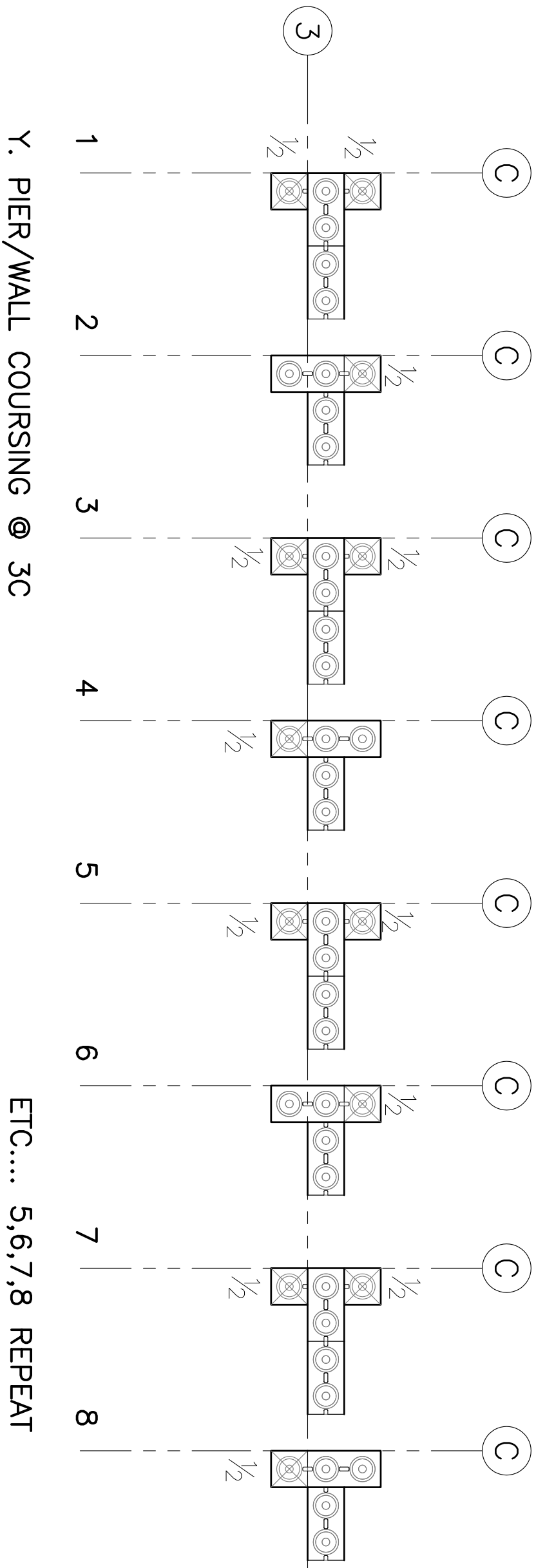
1/2 INDICATES HALF-BLOCK AT THIS LEVEL

ALL 3-WAY WALL INTERSECTIONS TO BE 'COBRA' TYPE - EXCEPT WHERE NOTED OTHERWISE.

Rev Description	Date
Issued: NOVEMBER 2007	
Drawn By: GHW	
Checked By:	
Filename	
UDON THANI	
ICEB HOUSE	
FIRST BLOCK	
COURSE	
Scales:	1:50 @ A3
Drg. No.	SK-004
Rev. No.	0



Rev. No.	0
Filename	UDON THANI
Checked By:	GHW
Drawn By:	GHW
Issued:	NOVEMBER 2007
Rev. Description	Date
ICEBER HOUSE WALL SECTION	
Scale:	1:10 @ A3
Drg. No.	SK-005



Issued: NOVEMBER 2007

Drawn By: GHW

Checked By:

Filename

UDON THANI

ICEB HOUSE
BLOCK
DETAILS

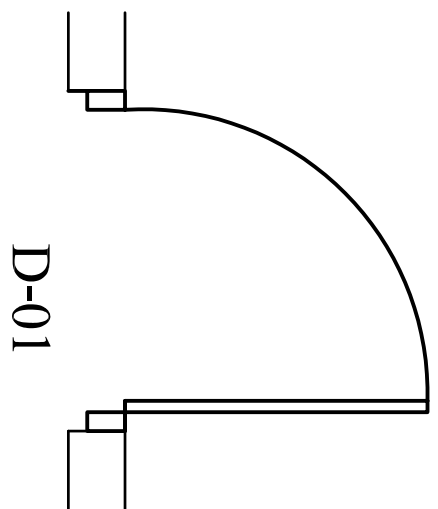
Scales: 1:20 @ A3

Drq. No.

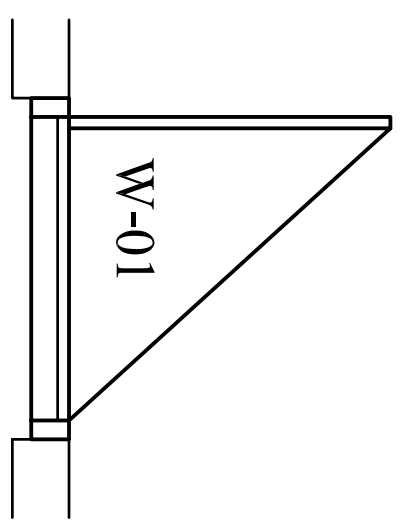
SK-006

Rev. No.

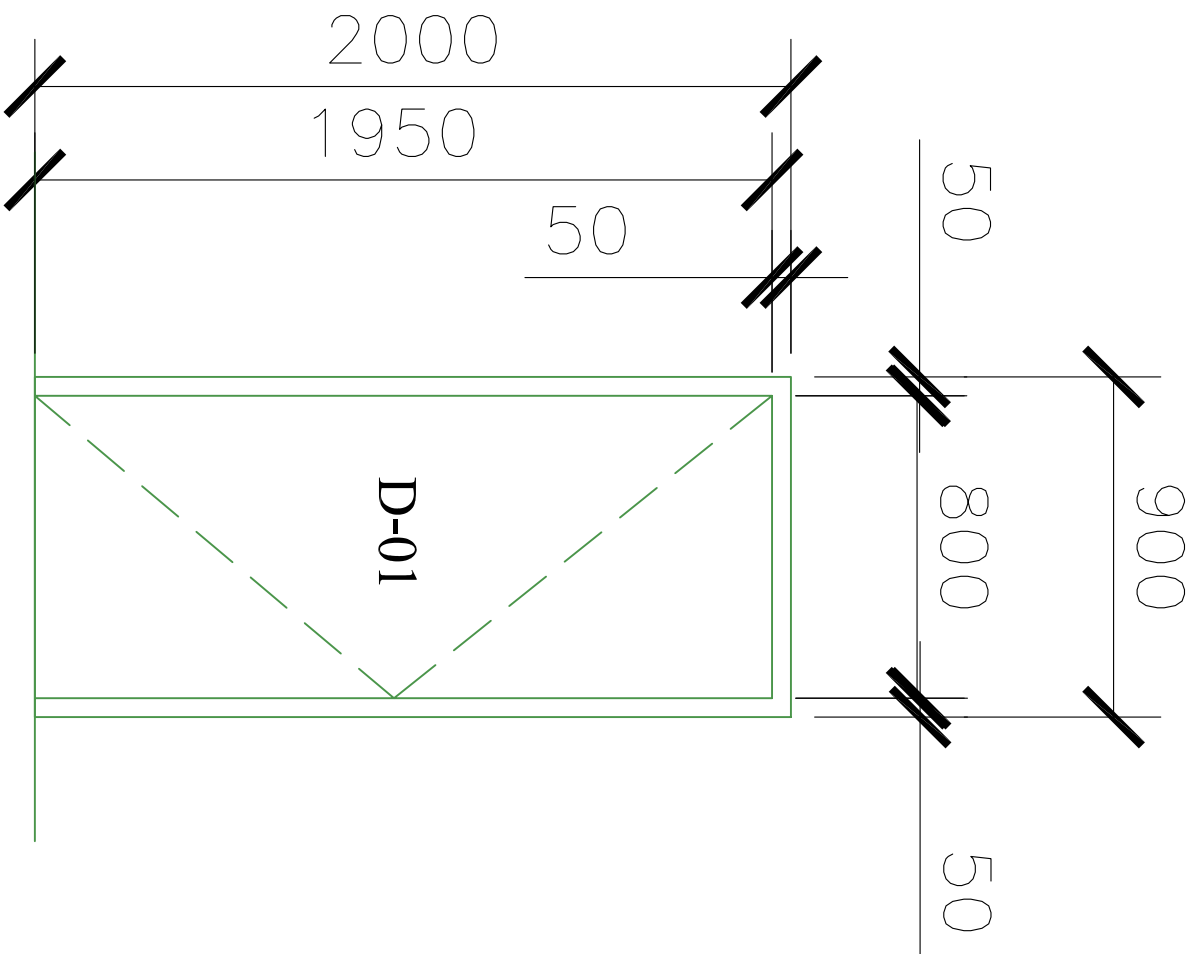
0



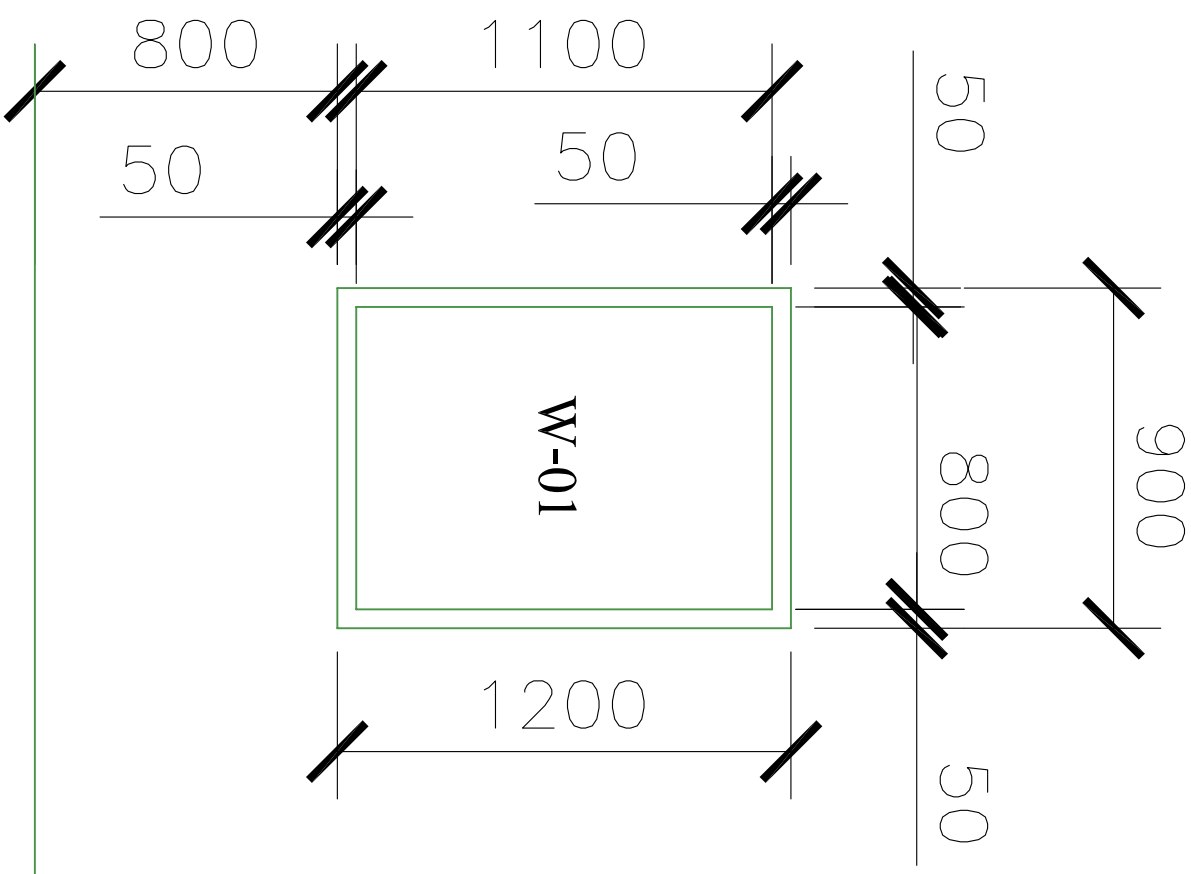
D-01



W-01

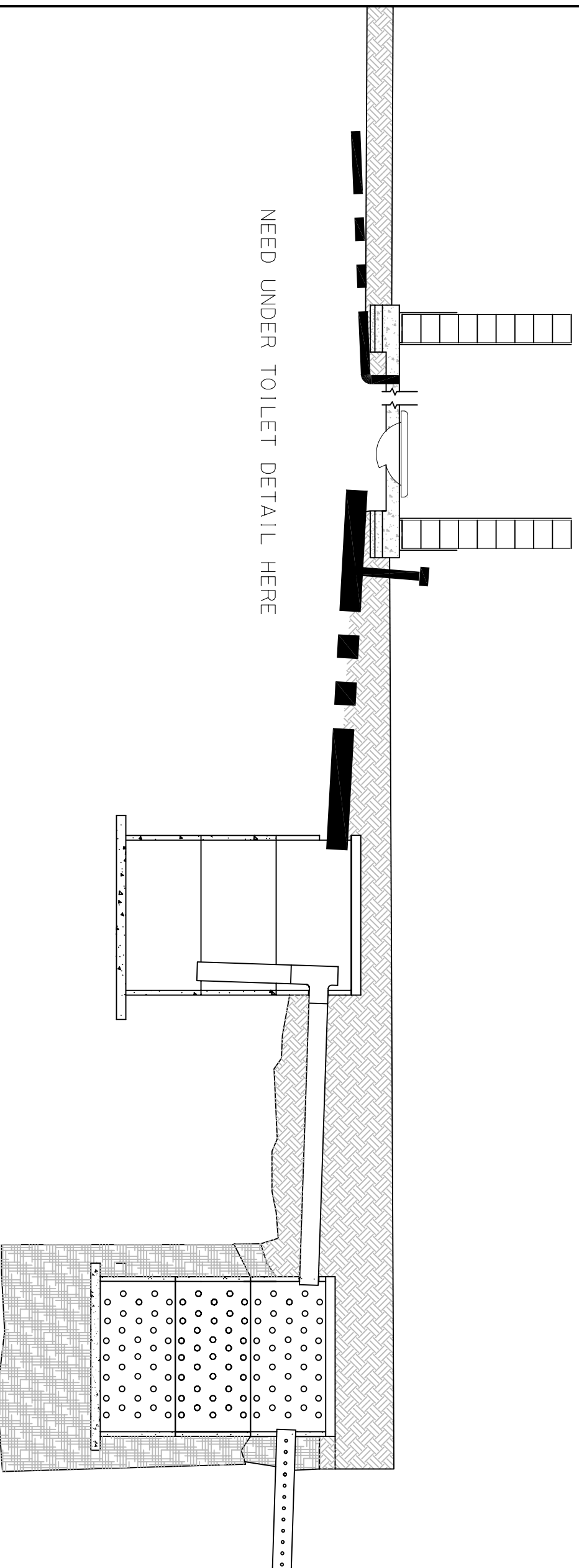


D-01



W-01

Issued:	NOVEMBER 2007
Drawn By:	GHW
Checked By:	
Filename	
UDON THANI	
ICEB HOUSE	
DOOR &	
WINDOWS	
Scales:	1:50 @ A3
Drg. No.	SK-007
Rev. No.	0



Issued: NOVEMBER 2007

Drawn By: GHW

Checked By:

Filename

UDON THANI

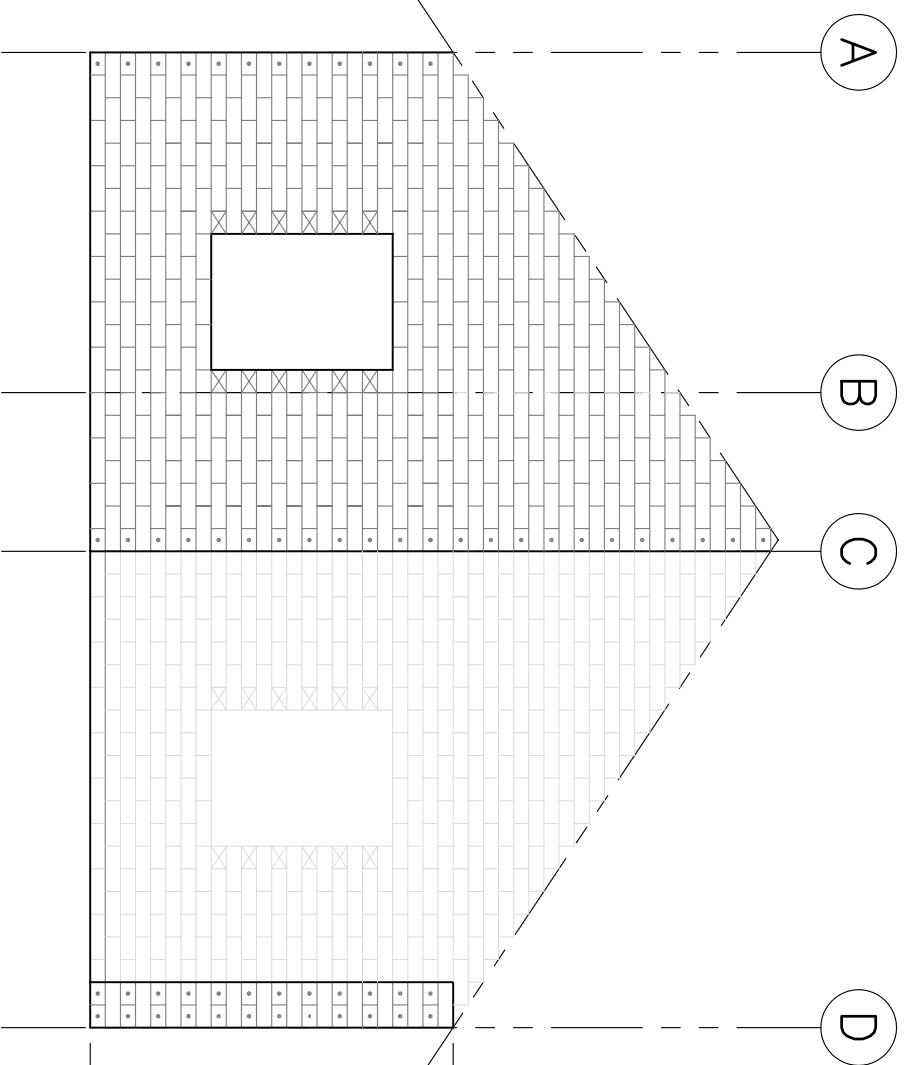
ICEB HOUSE
SEPTIC
SYSTEM

Scales: 1:25 @ A3

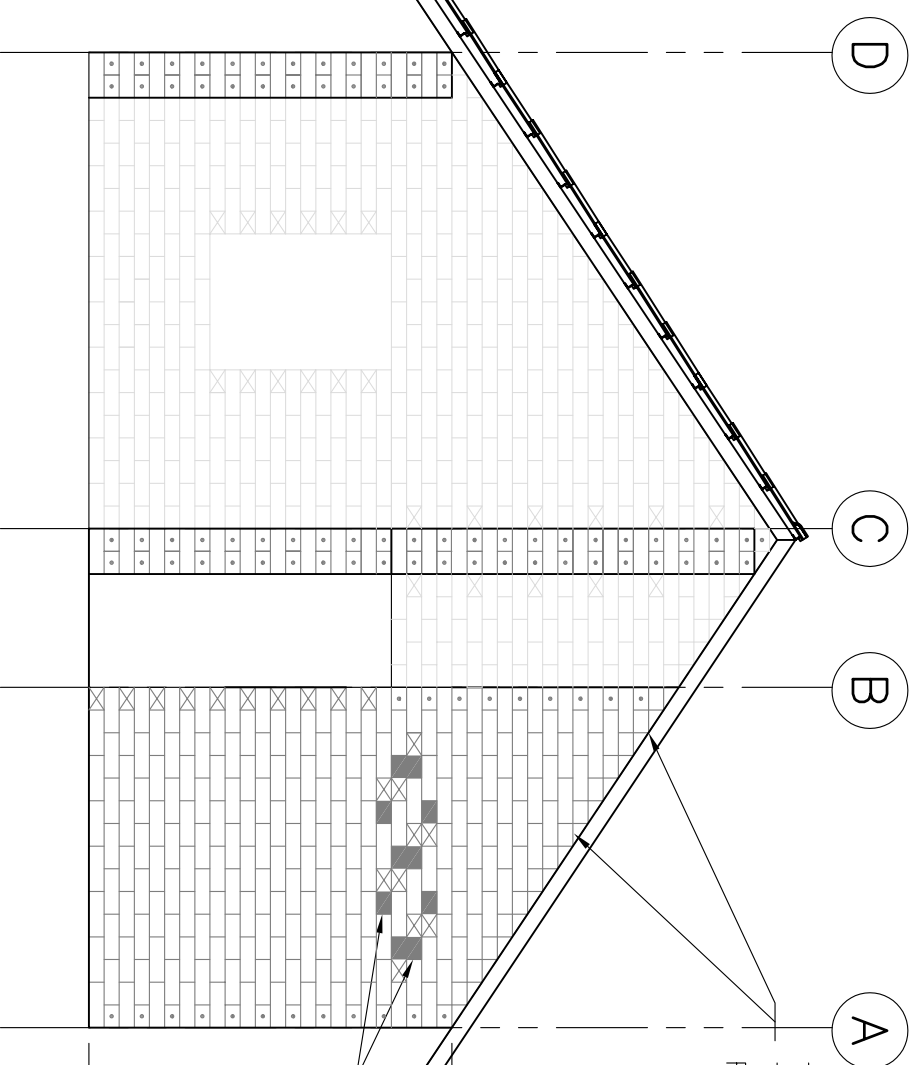
Drq. No.

SK-008

Rev. No. 0



ELEVATION 1



ELEVATION 2

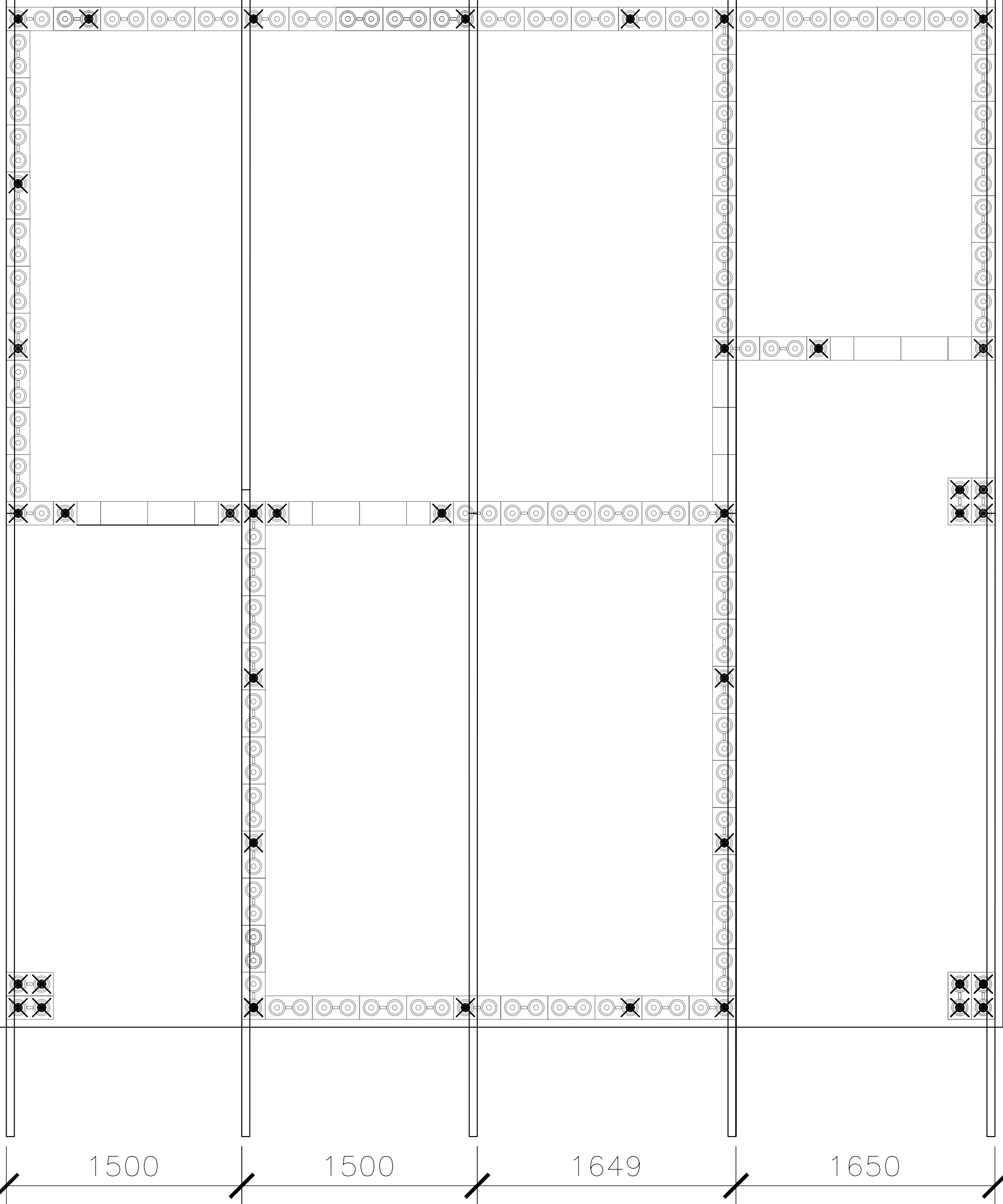
KEY:

- TYPICAL 300x150x100 BLOCK ON ELEVATION.
- ▣ END OF 300x150x100 BLOCK
- ⊠ HALF BLOCK 150x150x100

TOP OF WALL AND COLUMNS TO BE WELL CONNECTED TO ROOF STRUCTURE.

LEAVE OUT 1/2 BLOCKS FOR AIR. PROVIDE CHANNEL COURSE ABOVE AND BELOW BETWEEN GRIDS A AND B. PROVIDE TEMPORARY WOOD BLOCKING AT HOLES UNTIL GROUT Poured TO SUPPORT BLOCKS.

Rev Description	Date
Issued: NOVEMBER 2007	
Drawn By: GHW	
Checked By:	
Filename	
UDON THANI	
ICEB HOUSE	
ELEVATIONS	
SHEET 3	
Scales:	1:50 @ A3
Drg. No.	
SK-009	
Rev. No.	0



Rev	Description	Date

Issued: NOVEMBER 2007

Drawn By: GHW

Checked By:

Filename

UDON THANI

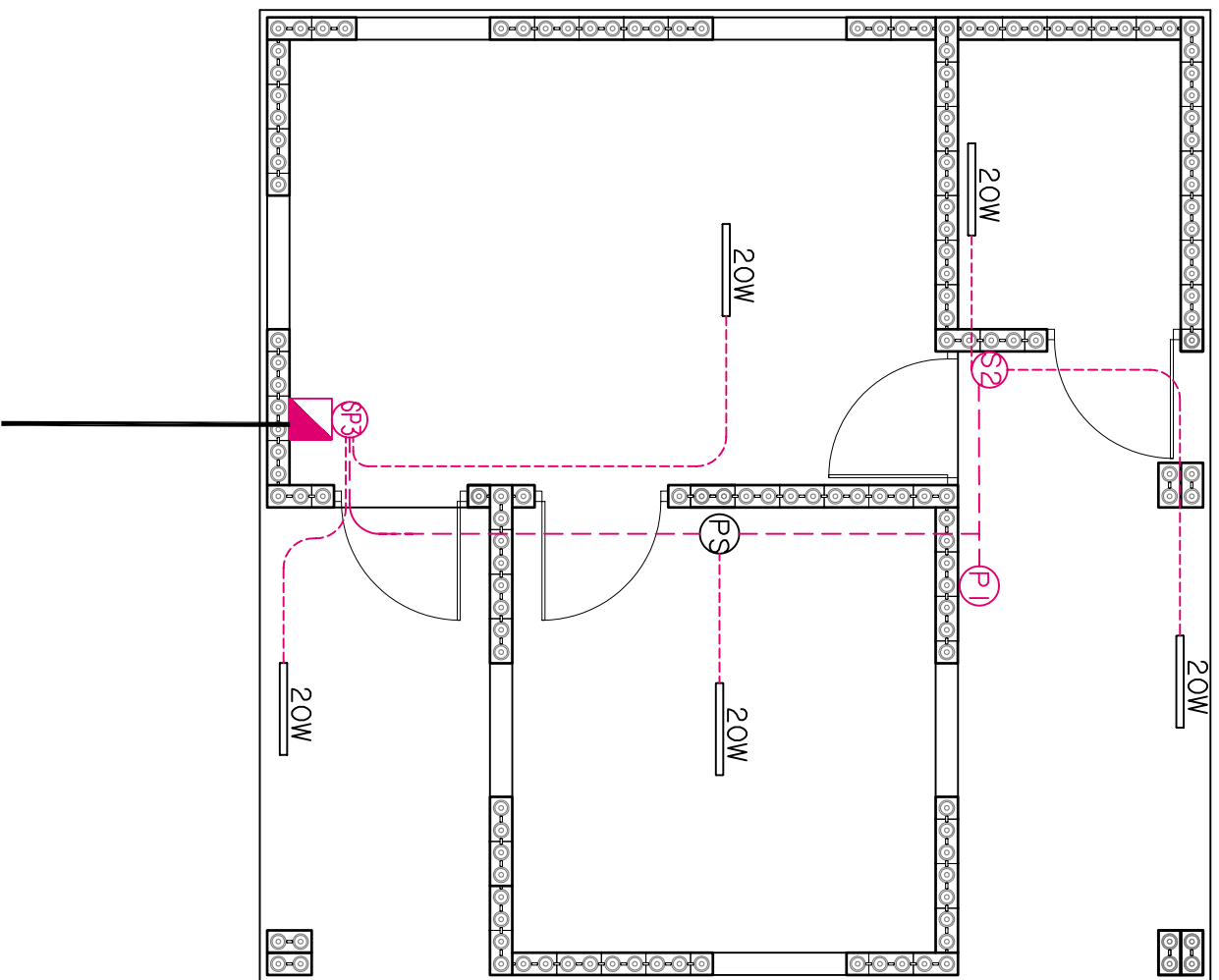
ICEB HOUSE
ROOF
STRUCTURE

Scales: 1:25 @ A3

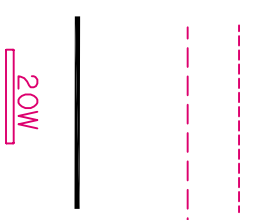
Drg. No.

SK-010

Rev. No. 0



- ▲ CUTOUT 30 AMP
- (P1) | PLUG 125 cm
- (S2) | 2 SWITCHES 125 cm
- (P3) | PLUG 2 SWITCHES 125 cm
- (P2) | PLUG | SWITCH 125 cm



Rev	Description	Date
Issued:	NOVEMBER 2007	
Drawn By:	GHW	
Checked By:		
Filename		
UDON THANI		
ICEBERG HOUSE		
ELECTRIC		
Scales:	1:50 @ A3	
Drg. No.	SK-011	
Rev. No.	0	